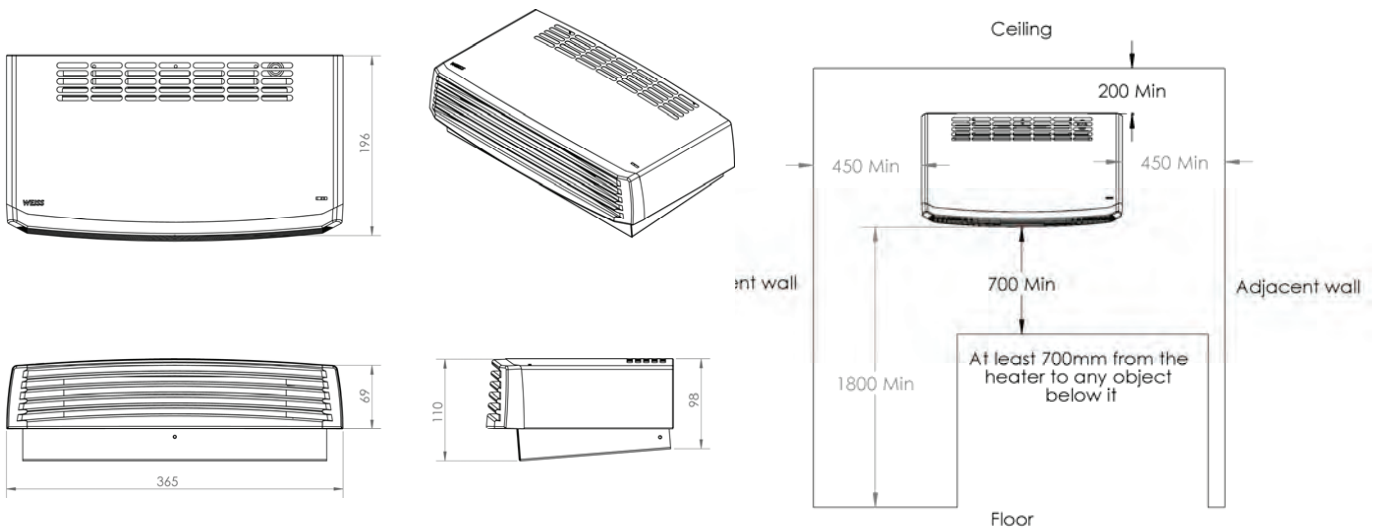




# Heater Fans

## FH30SS Stainless Steel Wall Mounted Fan Heater



<p><b>Specifications</b></p> <p>Weight 3.4Kg          Colour Stainless steel          Housing material Stainless steel coated steel</p> <p><b>Approval</b></p> <p>AS/NZS 60335.2.30:2009 Amdts 1:2010.</p>	<p><b>Technical Data</b></p> <p>Power Supply 230 VAC          Supply Line Fusing max. 10A          For Solid Wires 2 x 1.5mm<sup>2</sup>          Motor 230-240VAC 50Hz          0.3Amp</p> <p>Motor Insulation Class B1          Motor Protection Impedance Protected          Total Product Wattage 2200-2400Watts          Installed DB rating at 1.5m 45DB</p>
<p><b>Standards</b></p> <p>Test standards A/S NZS 60335.2.30:2009 Amdts 1-2010.          ERAC 000114          EMC Compliance This is a Level One product with an C frame motor that has a very low risk of causing EMC Interference</p>	<p><b>Minimum Mounting Distances</b></p> <p>When choosing a location for the heater the following minimum mounting distances must be observed:          At least 1800mm from the floor up to the heater          At least 200mm from the heater to the ceiling          At least 250mm from any adjacent walls          At least 700mm from the heater to any objects below it</p>

**High Quality- Low Price!**

0800 449 993 [www.plumbin.co.nz](http://www.plumbin.co.nz)

