

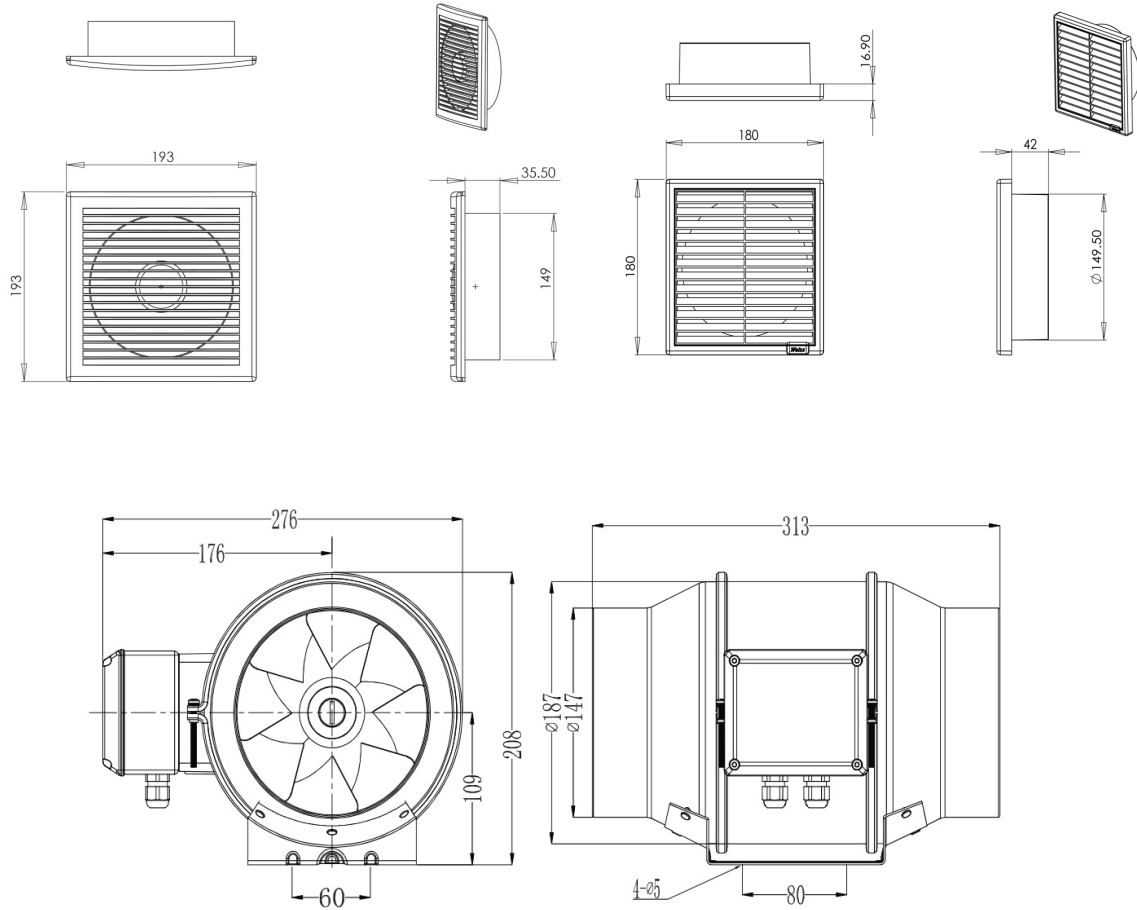
Technical Data Sheet



ER08P

ER Series EC Extraction Fan 150mm

Dimensions	
Cut-out size for inlet fascia	155mm
Cut out size for outlet vent	155mm



Specifications

Weight	2.3kg
Colour of front fascia	White
Housing material	ABS

Approval

AS/NZS 603350.2.80:2004 Amdt 1
AS/NZS 60335.1.2011 incl Amdt.1

Features

- Easy to install
- Built in controller with on demand extraction
- 3 metres of 150mm ducting supplied
- 150mm EC fan motor
- Continuous trickle extraction
- Allows moisture to be removed to the outside of your home
- All parts are included
- 5 year extended warranty