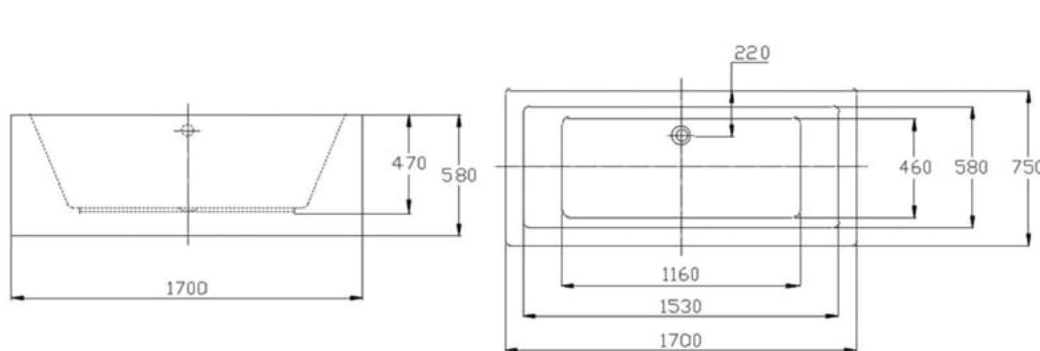


CAMDEN FREESTANDING BATH



SPECIFICATIONS	
<b>Recommended Use</b>	Domestic
<b>Material</b>	High Quality Sanitary Acrylic
<b>Dimensions</b>	1700mm x 580mm x 750mm
<b>Colour Availability</b>	White
<b>Overflow</b>	Yes
<b>Taphole availability</b>	No Taphole Tapware should be wall or floor mounted
<b>Capacity</b>	Approx 250L
<b>Net Weight</b>	50kg
<b>Installation</b>	Freestanding / adjustable legs
<b>Plug and Waste</b>	40mm diameter



All measurements shown are in millimetres  
Size are approximate

**CLEANING RECOMMENDATIONS**

We recommend that use of soapy water or approved cleaners.  
This product should not be cleaned with abrasive materials.  
Damage caused by any improper treatment is not covered by the product warranty.  
Refer to Warranty Conditions

## WARRANTY SCHEDULE

Alpha warrants that all plumbing fixtures and fittings are warranted free of manufacturing defects for the following set periods from the date of purchase on the terms set out in the following warranty schedule.

Our warranty cover starts from the date of purchase or for new domestic buildings from the date of handover. It includes replacement parts, freight and labour unless otherwise stated. It lasts until the end of the period set out in the table below.

CATEGORY	NON COMMERCIAL USE
<b>SHOWERS AND BATH SCREENS</b>	
Acrylic Wall / Tray	5 years
Glass - NZ Certified	10 years
Seals, rollers, fittings and hinges	1 year
<b>BATHS</b>	
Acrylic Shell	5 years
Other Fittings and Components	1 year
Bathroom Waste	1 year
<b>TOILETS AND BASINS</b>	
Parts - valves, seals, hinges	1 year
Ceramic	10 years
Polymarble	5 years
<b>TAPWARE</b>	
Shower head and rail	2 years
Shower hose	2 years
<b>BATHROOM FURNITURE</b>	
Cabinets	5 years
Mirrors	1 year
Vanity Top (Vitreous China)	10 years
Vanity Top (Polymarble)	5 years
Parts - runners, hinges, handles	1 year

## WARRANTY SCHEDULE CONTINUED

### COMMERCIAL USE OF ALPHA BRANDED PRODUCTS

If the product is purchased for the purposes of a business, then all of the guarantees and remedies in the Consumer Guarantees Act 1993 are excluded and the Warranty periods and all other terms of the Warranty prevail.

Apart from the provisions of the consumer Guarantees Act 1993 (which will apply in addition to this warranty):

(a) the Warranty is in lieu of all other warranties, express or implied, including but not limited to the implied warranties of merchantability and fitness for a particular purpose.

(b) Alpha also disclaims any liability for special, incidental or consequential damages.

### TERMS AND CONDITIONS

1. Alpha will at its election, pursuant to its obligations under the Warranty:

- Repair or replace the defective Alpha product or part
- Pay the cost of repairing the defective product or part
- Refund the purchase price to the purchaser
- Make appropriate adjustment

2. The Warranty applies only within New Zealand and only to the original purchaser;

3. The following will not be covered by the Warranty:

(a) Damage due to accident, improper installation or handling, improper care and cleaning, faulty repairs, alteration, abuse or misuse (whether undertaken by a contractor, service company, or the consumer);

(b) Installed, maintained or used other than in accordance with the instructions furnished by Alpha;

4. Standard products may contain unavoidable manufacturing imperfections of a minor character and if a manufacturing defect is found, Alpha will, at its election, refund the purchaser with the purchase price of the product or repair, provide a replacement part or product, or make an appropriate adjustment.

5. The purchaser shall be responsible for and shall meet all charges in respect of making the defective product accessible for repair or replacement.

6. Use of Cleaners. Use of chemicals such as bleach, hair dye, solvents, alcohol, citrus based chemicals, bath oils, bath salts or abrasive cleaners on any acrylic part of your Alpha bath, shower or toilet seat will void the warranty. Warm soapy (detergent) water is the recommended cleaning method.

7. Temperature. Hot water must be limited to a maximum of 55° C and that any increase in temperature will void any Warranty.

### PURCHASE OF ALPHA PRODUCTS "IN TRADE"

Where the product is purchased by a party "in trade" then Alpha and the "in trade" purchaser irrevocably agree for the purposes of the Consumer Guarantees Act 1993 ("CGA"), that:

(a) they are each in the business of trade;

(b) they each agree to contract out of the CGA and all of the guarantees and remedies provided for in the CGA are excluded;

(c) it is fair and reasonable that the parties are bound by these terms; and

(d) the Warranty period for the relevant products acquired is 12 months from the date of installation of the product except where relevant product is used within hotel, motel or rest home accommodation. In those instances Alpha warrant its product free of manufacturing defects for the periods set out at the beginning of this document.

(e) All warranty offered under this "In Trade" category is limited to the cost of replacement product, packaging and freight.

If the "in trade" purchaser on sells the products to an end consumer that intends to use the products for "in trade" purposes (or holds him or herself out to be acquiring for a "in trade" purpose) (a Business Consumer) then the purchaser shall:

(i) include in the contract with the Business Consumer a provision (with the same content as the above provision) to contract out of the CGA; and

(ii) Not make any representation concerning the description or specification of the products if it does not correspond with the actual description and specification of the products.

### INFORMATION REQUIRED WHEN MAKING A CLAIM

Please be sure to provide all pertinent information regarding your claim, including a complete description of the problem, the product, model number, colour, the date the product was purchased and from whom the product was purchased. Also include your original invoice.

### CONTACT DETAILS

If you believe that you have a Warranty claim, contact Alpha through your nearest Plumb'In Bathrooms Store or email to [info@plumbin.co.nz](mailto:info@plumbin.co.nz)