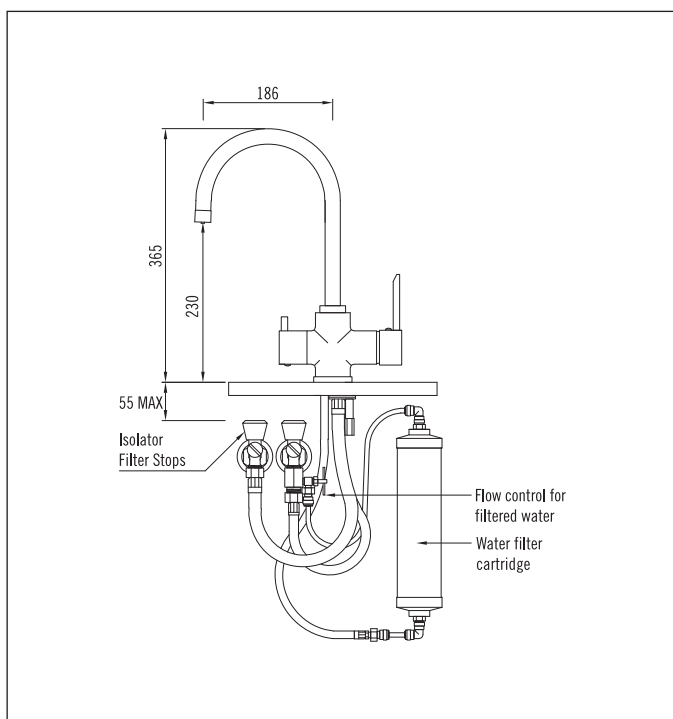


Note: Xera 1 product is supplied with a straight handle and Xera 2 is supplied with a kinked handle.
All other specifications are identical.

Gooseneck Sink Mixer with Water Filter



Code: X1 SMF CP

- Use X1 (straight) or X2 (kinked) in code depending on the handle

Finish: Chrome

Spout: Swivel 360°

Aerator supplied

Stainless Steel Inlet Hoses:

Hot: I/D: 9.5mm Size: M16 x 1/2" BSP
Length: 370mm

Cold: I/D: 6.5mm Size: M12 x 1/2" BSP
Length: 370mm

Metal Base Ring supplied with O-ring seal

Mounting Hardware: Studs: 2 x 8mm
Nut: 11mm A/F
Horseshoe Washer

Installation Hole Diameter: Minimum: 40mm
Maximum: 45mm
Recommended: 40mm

Cartridge: Mondo 40K Flat base

Mains pressure only

Recommended Pressure

Operational Range:

Minimum: 150 kPa

Recommended: 600 kPa

Never to Exceed: 1000 kPa

Maximum Operating

Temperature: 70°C