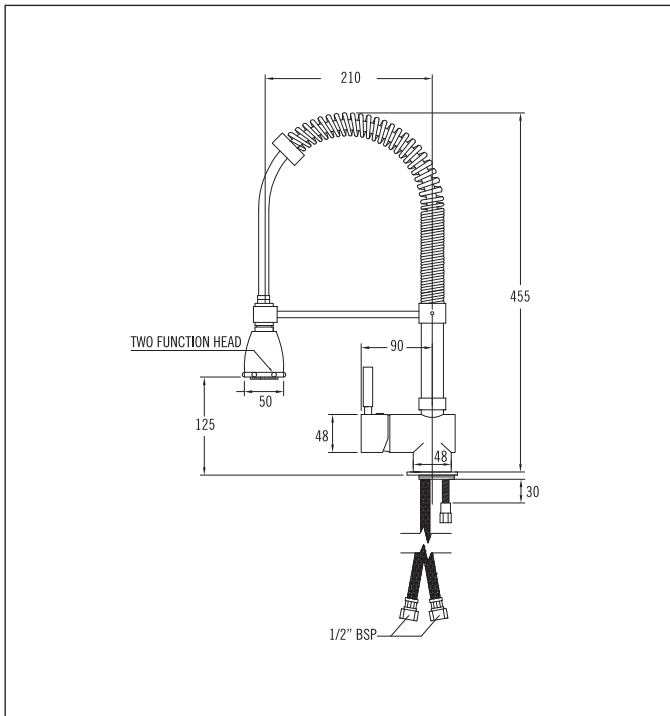


Note: Xera 1 product is supplied with a straight handle and Xera 2 is supplied with a kinked handle.
All other specifications are identical.

Sink Mixer with Pull-out Spray



Code: XE SMCOIL CP
Finish: Chrome
Spout: Swivel 360°
Head: Aerator or Spray function

Available with straight handle only

Stainless Steel Inlet Hoses:

Hot: I/D: 5.5mm Size: M10 x 1/2" BSP
Length: 330mm

Cold: I/D: 5.5mm Size: M10 x 1/2" BSP
Length: 330mm

Metal Base Ring supplied with O-ring seal

Mounting Hardware: Studs: 1 x 8mm
Nut: 11mm A/F
Horseshoe Washer

Installation Hole Diameter: Minimum: 28mm
Maximum: 36mm
Recommended: 34mm

Cartridge: Mondo 35K Flat base

Suitable for equal pressure systems only

Recommended Pressure
Operational Range:

Minimum: 100 kPa
Recommended: 600 kPa
Never to Exceed: 1000 kPa

Maximum Operating
Temperature: 70°C