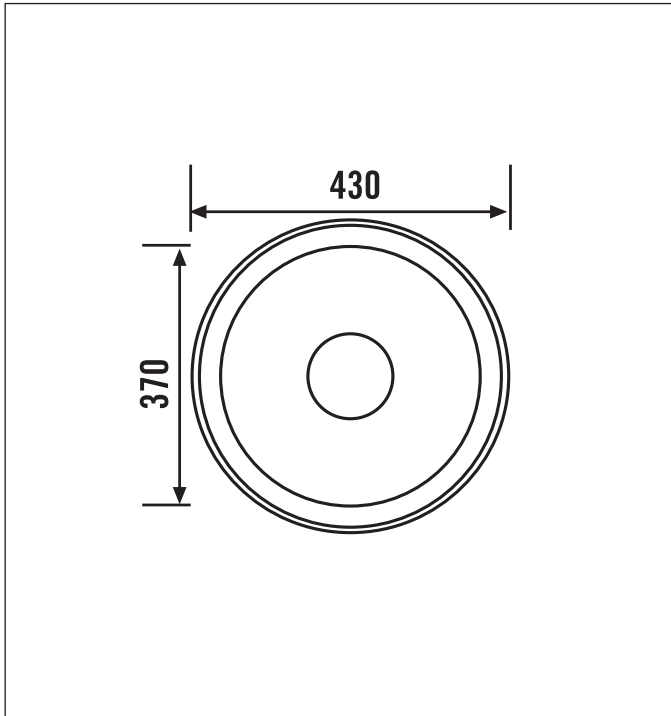


Stainless Steel Sinks

All sinks are punched with a 92mm hole and depressed to fit 112mm or 114mm basket wastes.
Overflow requires 25mm to clear cabinetry.

Curvette Bowl 2



Code: Curvette2
Finish: Polished
Size: Diameter 430mm
Bowl: Diameter 370mm diameter x 175mm deep
(13 litres at overflow)
(17 litres at lip)

Supplied with waste kit and overflow

- Can be undermounted

Note: This bowl requires custom overflow to match the high curvature of the bowl