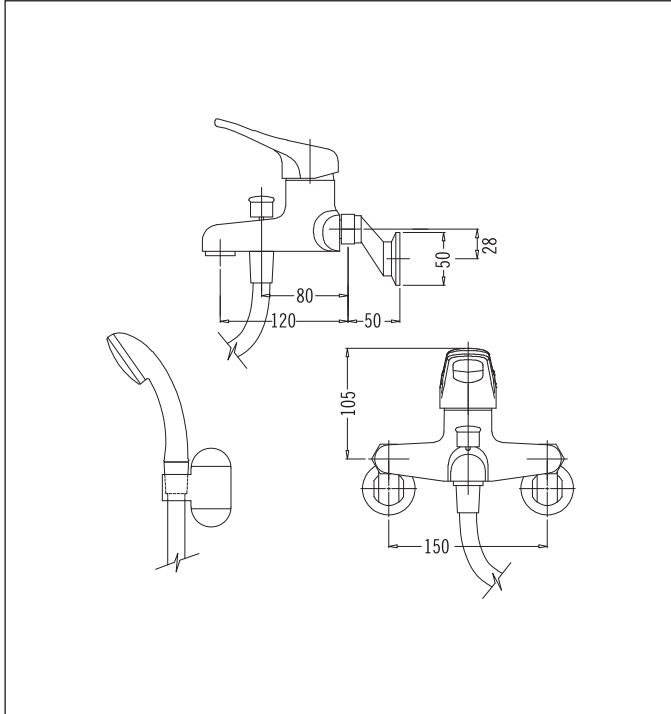


Exposed Bath Mixer with Divertor and Handshower



Code: SG XBM15 CP 15mm eccentrics
 Code: SG XBM20 CP 20mm eccentrics
 Finish: Chrome

- For Chrome/Gold add OPTION GOLD SGL LEVER to code

Ideal for mains pressure

Divertor can be adapted to operate at low pressure (min 50KPa) by request at a small additional charge

Water director and wall bracket supplied

Handshower Hose Internal Diameter: 9.5mm
 Handshower Hose Length: 1.5 metres

Eccentrics: Standard: +/- 54mm
 Special: +/- 115mm
 (available on request)

Eccentric Reach From Wall: Standard: 50mm
 Special: 80mm

Connection Nut to Eccentric: 29mm A/F

Installation Hole Diameter - 15mm Eccentrics:
 Minimum: 22mm
 Maximum: 45mm

Installation Hole Diameter - 20mm Eccentrics:
 Minimum: 26mm
 Maximum: 45mm

Cartridge: Mondo 40k Plus Raised base

Equal pressure systems only

Recommended Pressure

Operational Range:

Minimum: 100 kPa

(Modified version)

Minimum: 50 kPa

Recommended: 600 kPa

Never to Exceed: 1000 kPa

Maximum Operating

Temperature: 70°C