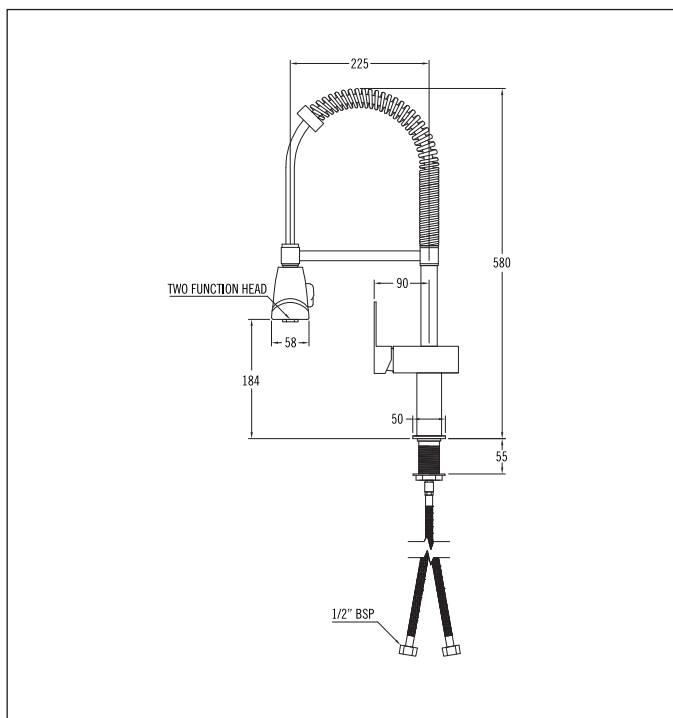


## Sink Mixer Coil



Code: OB SMCOIL CP  
 Finish: Chrome  
 Spout: Swivel 360°

Supplied with Aerator/Spray Head

Stainless Steel Inlet Hoses:

Hot:	I/D: 5mm	Size:	M10 x 1/2" BSP
		Length:	400mm
Cold:	I/D: 5mm	Size:	M10 x 1/2" BSP
		Length:	400mm

Metal Base supplied with flat rubber sealing washer

Mounting Hardware:	33mm threaded tube
Nut:	38mm A/F

Installation Hole Diameter:	Minimum:	33mm
	Maximum:	38mm

Cartridge:	Mondo 35K Plus	Flat base
------------	----------------	-----------

### Mains pressure only

Recommended Pressure

Operational Range:

Minimum: 150 kPa  
 Recommended: 600 kPa  
 Never to Exceed: 1000 kPa

Maximum Operating  
 Temperature: 70°C