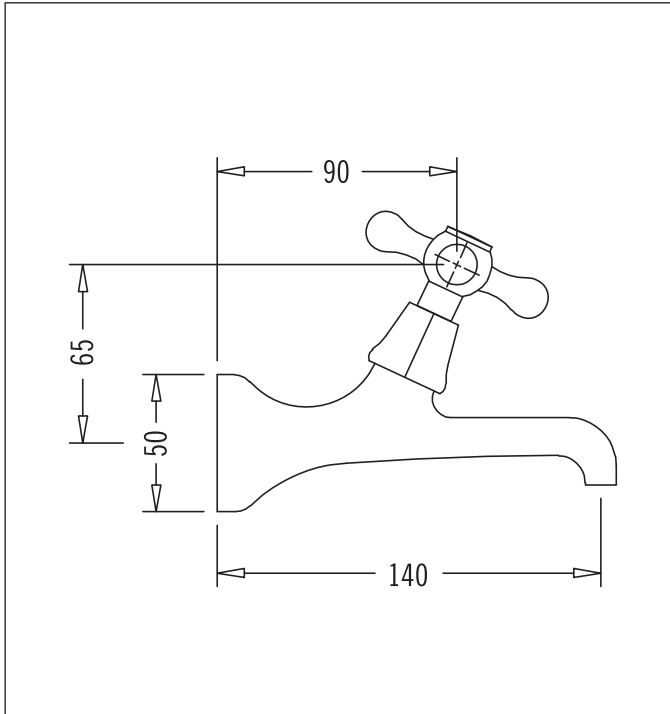


Bath Taps



Code: NV BT15 CP 15mm inlet female
 Code: NV BT20 CP 20mm inlet female
 Finish: Chrome, Chrome/Gold
 Mechanism: Standard Washer

- Range available with half-turn ceramic mechanism on request (add OPTION CERAMIC to code)
- For Chrome/Gold add OPTION GOLD NV to code

Sold as a pair

Supplied with base O-ring seal

Installation Hole Diameter:

15mm Taps:	Minimum:	22mm
	Maximum:	40mm
20mm Taps:	Minimum:	26mm
	Maximum:	40mm

Handy Tip: For very low pressure the standard mechanism will provide a greater flow than ceramic mechanism

Suitable for equal and unequal pressure systems

Recommended Pressure

Operational Range:

Minimum: 15 kPa

Recommended: 600 kPa

Never to Exceed: 1000 kPa

Maximum Operating

Temperature: 70°C