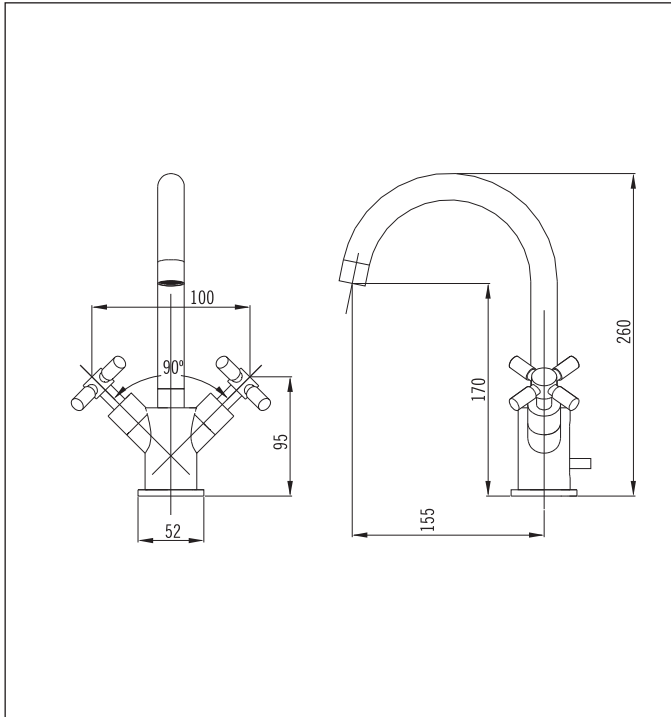


1 Hole Basin Set with Pop-up Waste



Code: MK 1BASIN CP
 Finish: Chrome
 Mechanism: 90° left and right handed ceramic
 Spout: Swivel 135°

Supplied with Aerator and Aerator spanner

Stainless Steel Inlet Hoses:

Hot:	I/D: 6mm	Size:	M10 x 3/8"
		Length:	360mm
Cold:	I/D: 6mm	Size:	M10 x 3/8"
		Length:	360mm

2 x 3/8" to 1/2" BSP adaptors supplied

Metal base ring supplied with flat rubber sealing washer

Mounting Hardware: Stud: 8mm
 Nut: 11mm A/F
 Horseshoe Washer

Installation Hole Diameter: Minimum: 28mm
 Maximum: 40mm
 Recommended: 34mm

Handy Tip: To remove handle, unscrew all 4 spokes of the handle.

Mains pressure only

Recommended Pressure
 Operational Range:
 Minimum: 150 kPa
 Recommended: 600 kPa
 Never to Exceed: 1000 kPa
 Maximum Operating
 Temperature: 70°C