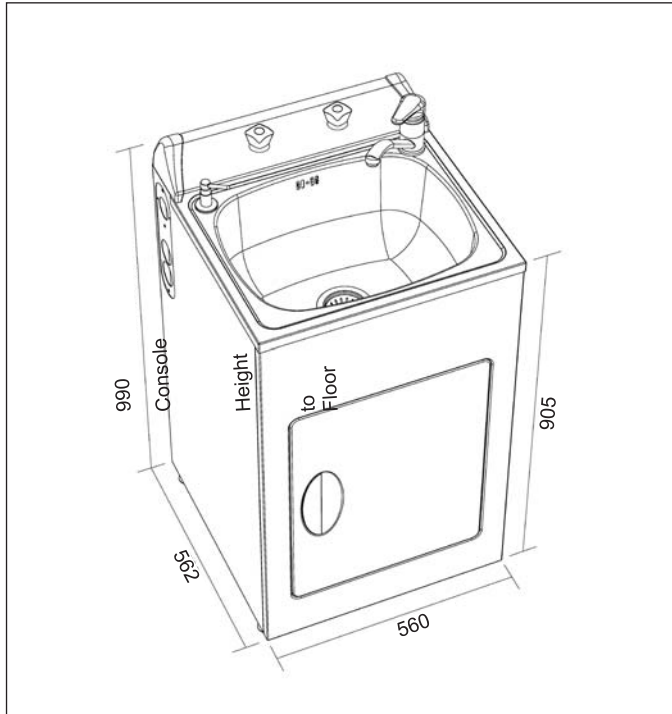


## LaundraTubbie



### Code: LAUNDRATUBBIE

- Extra thick and robust long-life powder-coated galvanised steel cabinet (up to 20% thicker than other cabinets)
- Reinforced door to prevent 'door wobble'
- Pressed, seamless laundry tub with anti-drip lip (25 litres at overflow)
- Single lever mixer for easy mixing of water
- Metal tap handles (not plastic)
- Metal waste with lint strainer
- Easily adjustable feet
- Door storage basket
- 2 melteca shelves for storing laundry items
- Child safety lock
- 2 magnetic catches for easy door closure
- Reversible door
- Flowing soap dispenser
- Overflow capacity greater than 35 litres per minute

### Equal or unequal pressure

#### Recommended Pressure

Operational Range:

Minimum: 35 kPa

Recommended: 600 kPa

Never to Exceed 1000 kPa

Maximum Operating

Temperature: 70°C