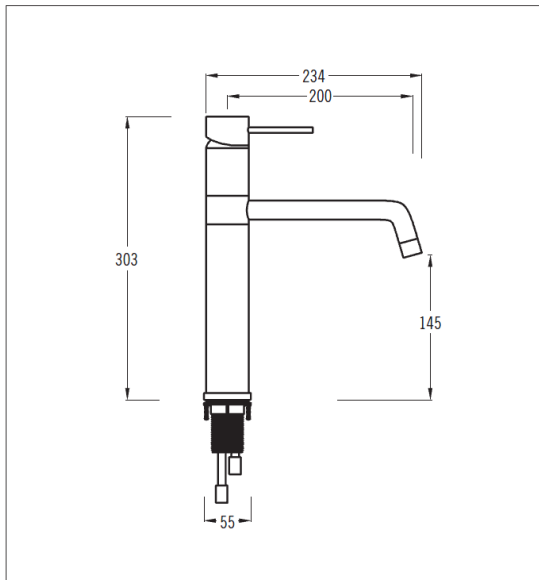




Divina Sink Mixer



Suitable for equal and unequal pressures systems

Recommended Pressure
Operational Range:
Minimum: 35 kPa
Recommended: 600 kPa
Never to Exceed: 1000 kPa
Maximum Operating
Temperature: 70°C

Code:	DV SM	
Finish:	Chrome	
Spout:	Swivel 360°	
Water Outlet:	Standard PCA	8 litres/min
Stainless Steel Inlet Hoses:		
Hot:	Size: M12 x 1/2" BSP	
	Length: 350mm	
Cold:	Size: M12 x 1/2" BSP	
	Length: 350mm	
Base Ring supplied with O-ring seal		55mm dia.
Mounting Hardware:	Threaded Tube with brass backing Back nut with locking screws	
Installation Hole Diameter:	Minimum: 32mm	
	Maximum: 42mm	
	Max. bench thickness: 42mm	
Cartridge:	Mondo 40K	Flat base
WELS:	Mains pressure	3 Star
	Flow rate	9 l/min
	Low/Unequal	3 Star
	Max flow at 35 kPa	9 l/min



Handy Tip: Includes 6 litres/minute PCW flow regulator to balance unequal pressure systems.

High Quality- Low Price!

0800 449 993 www.plumbin.co.nz

