

IMPORTANT

Please read the following instructions carefully BEFORE commencing installation.

**PLEASE CHECK YOUR ALPHA BATH IS COMPLETE AND UNDAMAGED
BEFORE INSTALLATION**

Before you Begin

Make sure you install all plumbing and drainage before securing the bath.
It is always recommended to have a certified, professional to perform the installations.

The floor must be level for proper installation. Once the unit is in position, ensure that it is level in both positions for proper draining to occur.

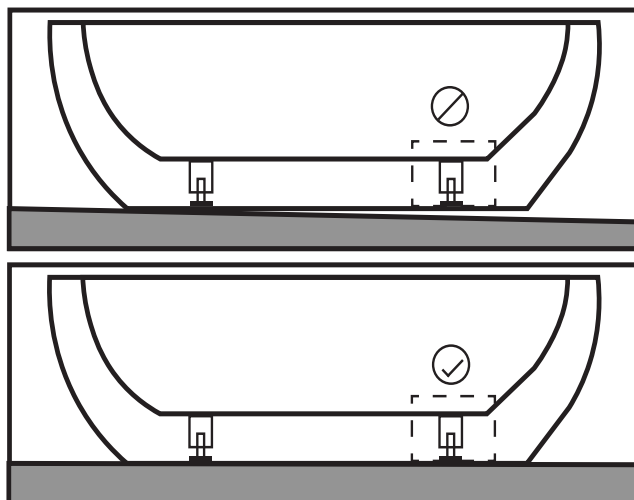


STEP 1

Alpha free standing baths are supplied on an integrated support with adjustable feet.

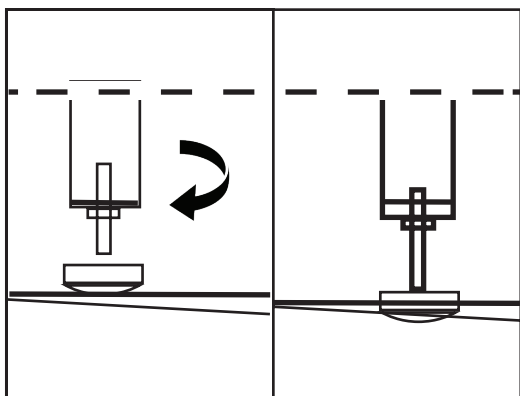
Place bath in the desired location

(NOTE - the waste placement and plumbing should have been determined and prepared by this stage).



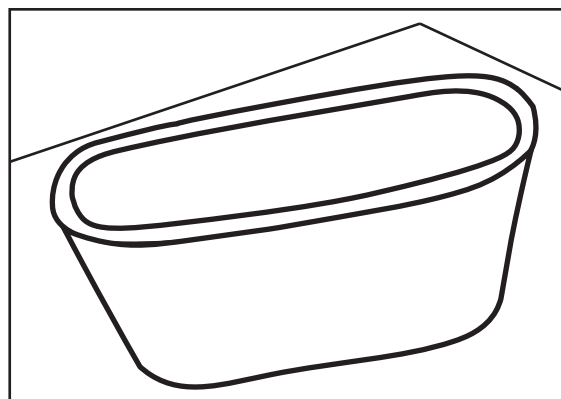
STEP 2

Once in the desired position adjust the bath feet so that the bath's acrylic surround is touching the floor.



STEP 3

Set waste connection in position.



STEP 4

Apply a small amount of silicone to each of the adjustable feet to stop bath from sliding.

Set in final position and allow at least 24 hours to set

