

STUDIO™ Dual Rain Shower

Simple. Stylish. Affordable. A luxurious addition to your bathroom providing a hand shower, overhead shower or both at the same time.



Features

- Single function round showerhead.
- Multi function hand shower.
- 2 modes of operation, i.e. Overhead Shower or Hand Shower mode.
- Two check valves for backflow prevention.
- Easy clean spray nozzles.
- Slide bar with push button clamp bracket.
- Hard wearing chrome.
- Mains pressure.

Colour/Finish

- Polished chrome

Material

- Plastic and metal construction

Included Components

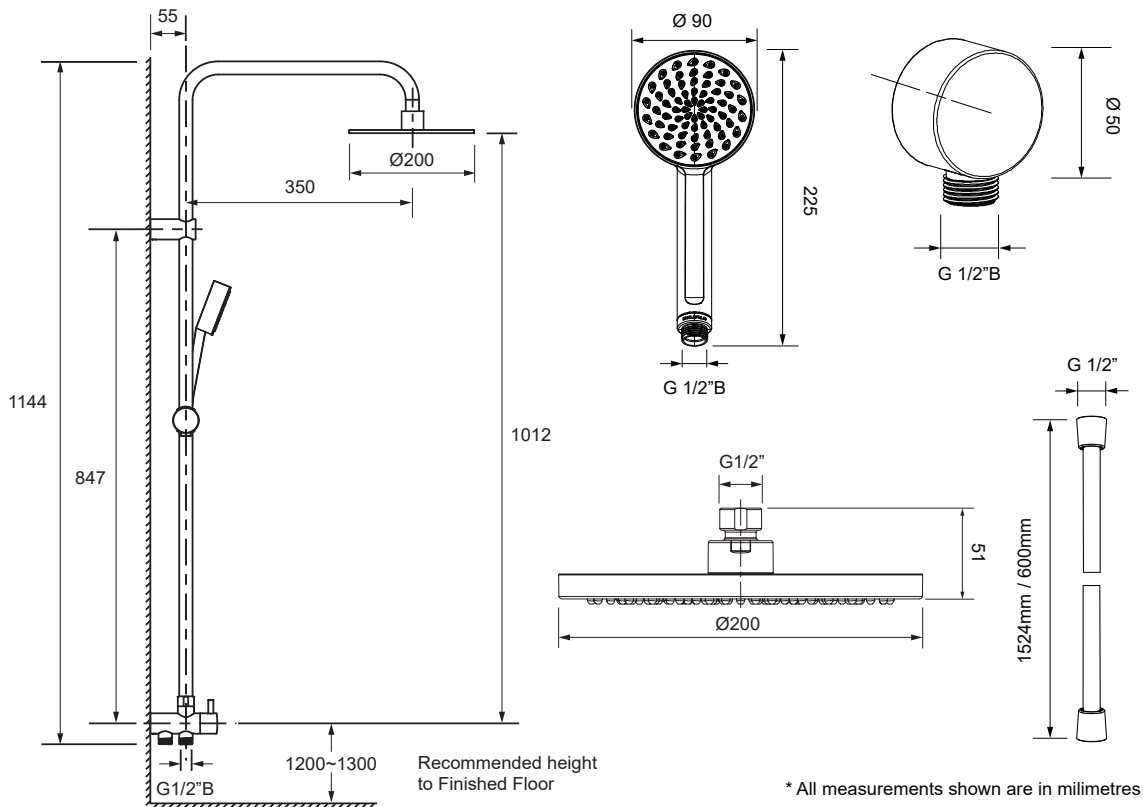
- Showhead
- Multi function handshower.
- Slide bar.
- 1.5m + 0.6m PVC shower hoses.
- Wall connecting elbow.
- Fixing kit.



MAINS PRESSURE
WELS RATING
(3 Star 9 Litres / min)



Technical Details



Product	Product Code
STUDIO Dual Rain Shower	5625A-VS-CP



Trusted in New Zealand Since 1982

New Zealand

133 Diana Drive, Glenfield, Auckland, New Zealand
 PO Box 100-146 NSMC, Auckland, 0745
 Ph: 0800 100 382 Fax: 0800 66 44 88
 www.engefield.co.nz

Australia

PO Box 257, Regents Park,
 NSW 2143, Australia
 Ph: 1800 ENGLEFIELD (1800 364 533)
 www.engefield.com.au

Sept 2019
 1402804-A04-A