

STUDIO II™ Dual Rain Shower

Simple. Stylish. Affordable. A luxurious addition to your bathroom providing a hand shower, overhead shower or both at the same time.



Features

- Single function round showerhead.
- Multi function hand shower.
- 2 modes of operation, Overhead Shower or Hand Shower.
- Two check valves for backflow prevention.
- Easy clean spray nozzles.
- Slide bar with push button clamp bracket.
- Hard wearing chrome.
- Mains pressure.

Colour/Finish

- Polished chrome

Material

- Plastic and metal construction

Included Components

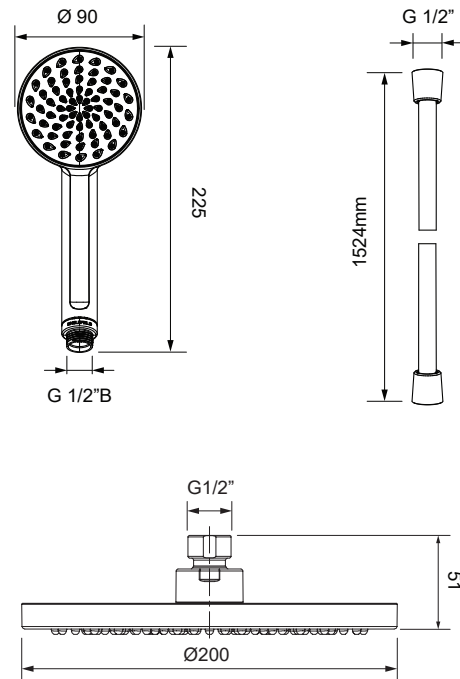
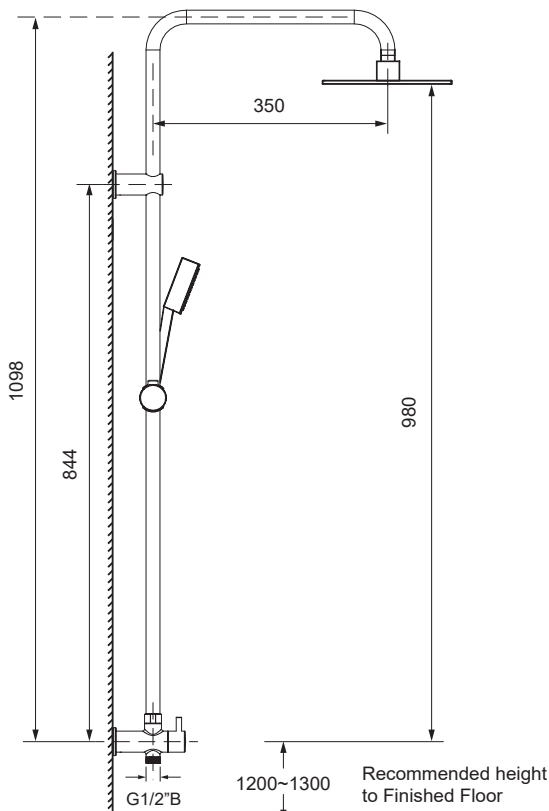
- Showhead
- Multi function handshower.
- Slide bar.
- 1.5m PVC shower hose.
- Fixing kit.



MAINS PRESSURE
WELS RATING
(3 Star 9 Litres / min)



Technical Details



* All measurements shown are in millimetres

Product	Product Code
STUDIO II Dual Rain Shower	22982A-CP



Trusted in New Zealand Since 1982

New Zealand
133 Diana Drive, Glenfield, Auckland, New Zealand
PO Box 100-146 NSMC, Auckland, 0745
Ph: 0800 100 382 Fax: 0800 66 44 88
www.Englefield.co.nz

Australia
PO Box 257, Regents Park,
NSW 2143, Australia
Ph: 1800 ENGLEFIELD (1800 364 533)
www.Englefield.com.au

Sept 2019
1402803-A04-A