



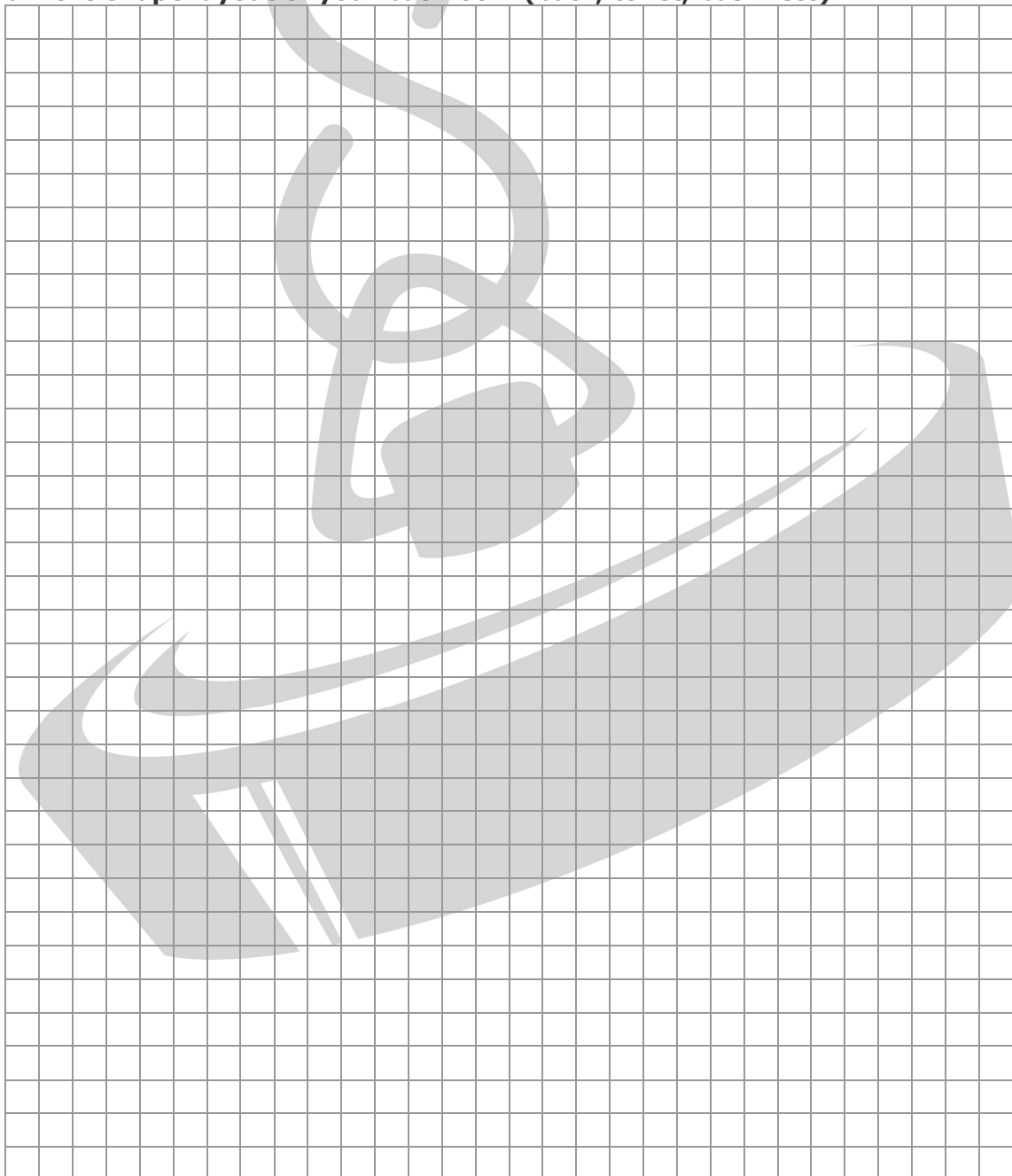
Easy DIY Bathroom Checklist

Step One: Measure your bathroom

Dimensions of your bathroom

Length (m)		Width (m)	
---------------	--	--------------	--

Draw the shape layout of your bathroom (bath, toilet, basin etc).



Step Two: Vanity

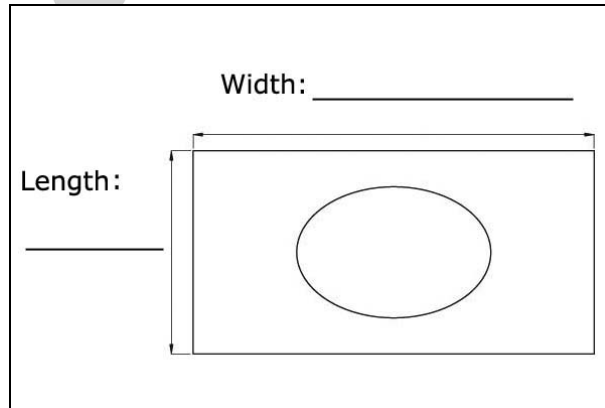
Waste

Does your vanity waste (pipe) go through the floor or the wall?

Floor Wall

Size

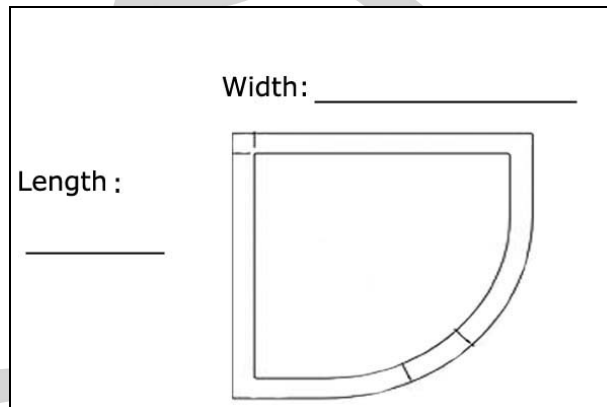
Check the size of the allocated space for your new vanity.



Step Three: Shower

Size

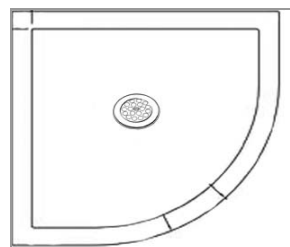
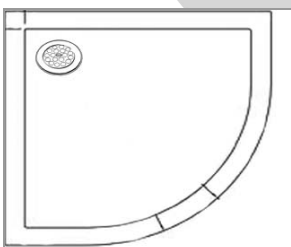
Check the size of the allocated space for your new shower.



Waste

Where is the waste (drain) position of your existing shower? (Circle one)

For renovation purpose, maintaining the position of your existing waste will save on plumbing costs.



Step Four: Tapware

Water Pressure

Do you know what water pressure you have got?

This is important when purchasing new tapware for your bathroom as if you have low/unequal water pressure you will need to make sure you purchase low/unequal tapware.

Equal Mains Pressure

- The hot and cold water is strong and equal.
- The hot water cylinder is described as a mains pressure cylinder.
- Almost all gas hot water systems are mains pressure.

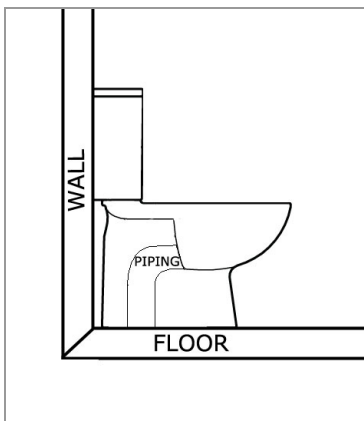
Unequal Low Pressure

- The cold water flow is much greater than the hot.
- There's header tank in the loft or a pressure reducing valve just before cold water enters the hot water cylinder.
- Hot water cylinders are marked 3.7m head or 7.6m head.

Step Five: Toilet

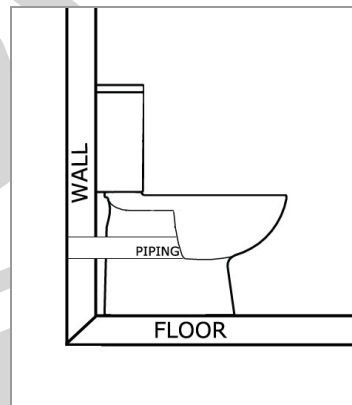
Set out

What set out does your current toilet have? Check if the piping goes through the floor or the wall. (Circle one)



S Trap

The waste goes through the floor



P Trap

The waste goes through the wall

Set out Measurement

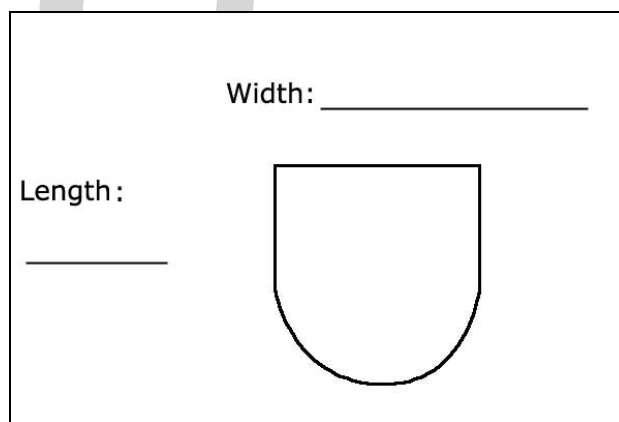
How many mm is your toilet set out: _____

This is only required for toilets with the waste (pipe) going into the floor.
Measure the distance between the wall and to the centre of you waste pipe.

Setout is the distance from the wall to the centre of the waste outlet (for S-trap toilet pans where the waste is in the floor). The set-out can vary greatly depending on the age of the house. Most new homes will have a standard set-out of about 140-165mm, which will enable most toilet suites to be installed. However, if the set-out is more that 200mm or less than 100mm, it will limit your choice in the type of toilet you buy.

Footprint

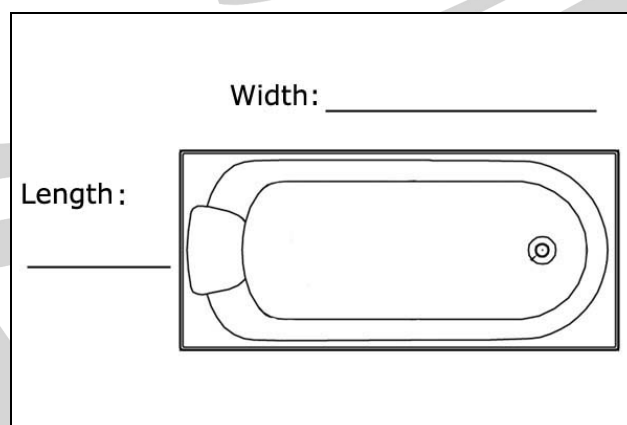
Measure the current footprint of your toilet. This is the area where the existing toilet sits on the floor which is especially important when you are not replacing the existing flooring.



Step Six: Baths & Spas

Size

Check the size of the allocated space for your bath or spa.



This is only required for spa baths. Draw on the diagram above to specify where the walls are in relations to your bath.

This will help specify the appropriate pump position to ensure future maintenance can be carried out if required.

Step Seven: Accessories

Bathroom accessories provide a unique look and functionality to any bathroom.

Remember to leave space in your bathroom plans for items such as; mirrors, storage units, towel rings, toilet roll holders, extractor fans, and heated towel rails etc.

You are Done!

Come into any of our Plumb'In stores and we will have your bathroom sorted in no time.

For further enquires, contact us on **0800 449 993** or **info@plumbin.co.nz**.

